

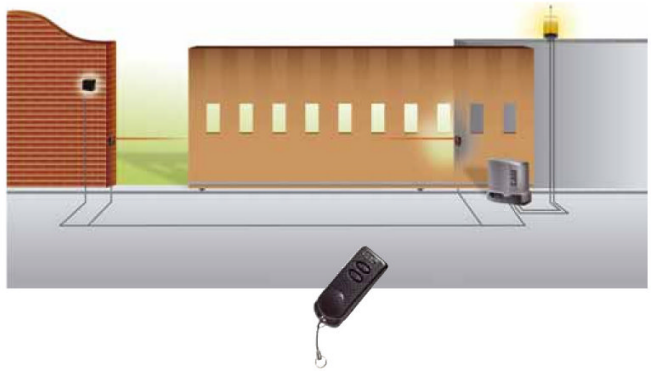


## 350T-ONE Series

### Sliding Gate Openers

Maximum Gate Leaf Length

8 Metres

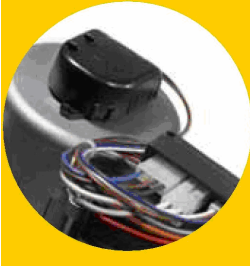


The “T-ONE” series of motors consists of a complete range of products for automating sliding gates for Residential and Condominium use.

The 230 Volts ac version is capable for gates up to 800 kg.

The 12 Volts dc low-voltage version is capable for gates up to 500 kg.

#### Safety



##### Safety:

The Encoder Technology is standard on all versions to guarantee constant and reliable obstacle control

#### Ground Mounting



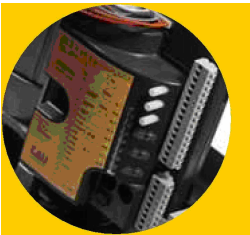
##### Ground Mounting:

More secure due to the 4 fixing points and the practical height adjustment.

##### Cover:

Made of non-scratch UVA-resistant technopolymer.

#### Control Electronics



##### Control Electronics:

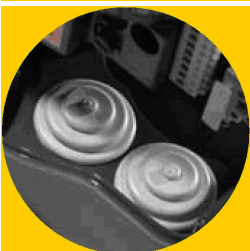
Fully protected and inaccessible to external agents. Quick and intuitive programming due to the signaling LEDs.

##### Radio Receiver:

Two-channel as standard integrated on the control unit. Frequency 433.92 MHz, 24 codes capable

##### Battery:

A Battery charger card integrated with the control unit on the low-voltage version.



#### Performance requirements for your gates.

This is where the expectations of performance are matched against the capabilities of the TAU 350T-ONE Series Sliding Gate Openers.

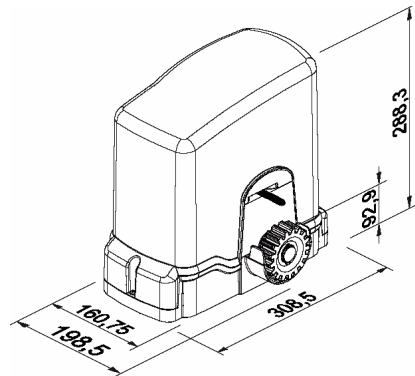
##### There are two versions available:

**350T-ONE8 230 Volts ac** version for normal residential and light industrial use.

**350T-ONE5B 12 Volts dc** version for more intensive residential and light industrial use. In the event of a power failure, it is able to be powered by a 12V dc Rechargeable Back-up Battery, which enables the gates to continue working for up to 10 operations before mains power is required to be reinstated.

Performance Required	350T-ONE8	350T-ONE5B
Gate Length	Up to 8 metres per leaf open style gate design	
Gate Opening Time (approx)	160 mm per second	225 mm per second
Usage per hour	Up to 8 times	Up to 30 times
System Power Requirement	Mains Power Only	Mains Power and Battery Back-up Operation
Weight of Gate	Up to 800 kgs	Up to 500 kgs

#### Dimensions



# GATE AUTOMATION CONTROL EQUIPMENT

## Operational options for your automation system

How you want to operate your automated gate/s is an important decision in choosing which Accessories will allow you to use your gate automation system to your specific requirements.

Key components of control for effective operation includes:-

- **Remote Control**

Each TAU 350T-ONE Series Automatic Gate Opening System has the option of using a TAU 2 or 4 Button Radio Remote which can be programmed into the main controller's inbuilt 2 channel Radio Receiver.

The second channel of the inbuilt 2 channel Radio Receiver could be used to operate garden/security lights or to keep the gates open for extended periods.

- **Keypad Entry**

For those who require visitor entry, an optional weather durable TAU Radio Keypad, located outside of the gate is available and can be positioned at a suitable height at the entrance way. The TAU Radio Keypad has a range of 10-20 metres and offers up to 24 individual user codes.

- **Photocells**

It is recommended that each TAU 350T-ONE Series Automatic Gate Opening System is installed with a set of safety Photocells across the gateway that will recognise an obstacle is in pathway of the gate, and will prevent the gate/s from closing until the obstacle is removed.

- **Safety Features**

The TAU 350K580M Controller used with the TAU 350T-ONE8 230V ac Motor has an electrical anti-crush safety clutch.

The TAU 350K125M Controller used with the TAU 350T-ONE5B 12V dc Motor has an electronically controlled, anti-crush safety clutch.

- **Automatic Realignment**

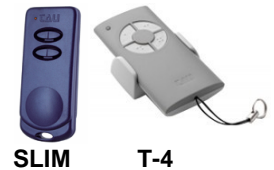
Should the mains power supply be disrupted for a long period of time, the TAU 350K580M and TAU 350K125M Controllers include an Automatic Realignment feature, that ensures the first operation (Radio Remote or other opening/closing signal device) upon the mains power being restored, will realign the gates to the last state before the power was disconnected.

- **Minimal Noise Production**

The TAU 350T-ONE Series Motor is fitted with an Encoder — a special detection system which moves the gate rapidly, then slows it down towards the end of its travel, in order to prevent noisy impacts and rebounds.

## Accessories

**Radio Remotes  
SLIM & T-4**  
2 & 4 Button Remotes



**Keypads  
300TSG**  
Radio Keypad  
24 User Code



**Photocells  
900OPTIC**  
Range 15 metres



## Control Devices

**Controllers  
350K580M**  
For 230V ac Sliding  
Gate Openers



**350K125M**  
For 12V dc Sliding  
Gate Openers



**Universal Radio Receivers**  
Single & Multi channel options  
to interface to existing  
Garage Door Openers etc



**Adjustable Mounting Plate**  
The **400CPO** Mounting  
Plate is suitable for all  
the T-ONE series

